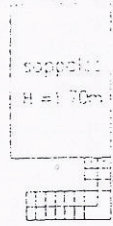
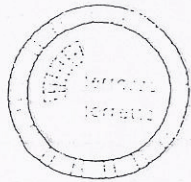


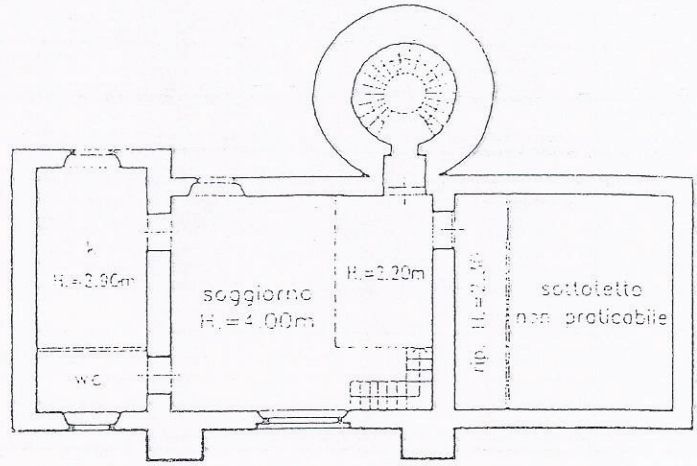
**ALLEGATO A**

**"BAR TORRETTA"**

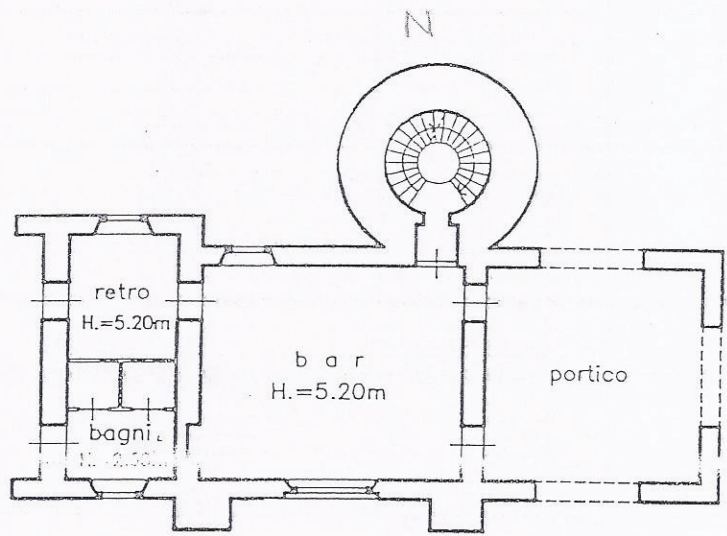
# **PLANIMETRIA**



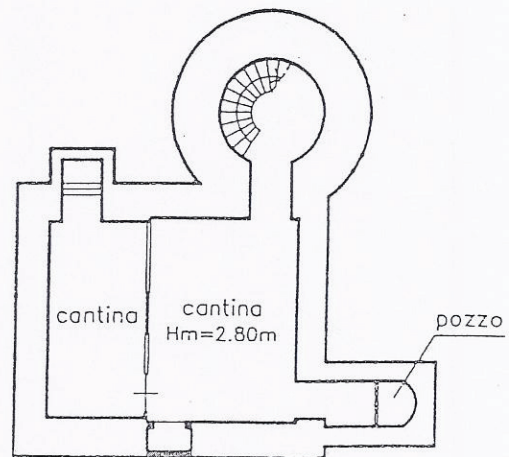
PIANO SOPPALCO



PIANO PRIMO



PIANO TERRA



PIANO S1